

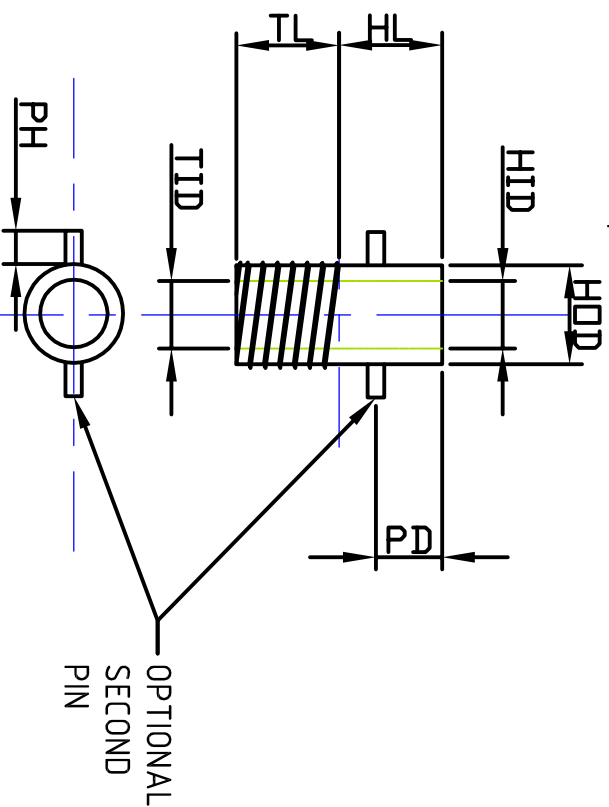
SOLOHEAT LTD - THERMOCOUPLE ADAPTOR SPEC SHEET

TEL: +44 (0) 1453 752459 | FAX: +44 (0) 1453 700120 | E: SALES@SOLOHEAT.CO.UK

CUSTOMER: _____

DRG #: _____

DIE REF #/NAME: _____



IF REQUIRED, PROVIDE ADDITIONAL OWN SKETCH ABOVE.

CIRCLE AS REQUIRED MATERIAL: BRASS | ZINC PLATED | ST/ST | OTHER _____

HEAD: O/DIA (HOD) _____ X HEAD LENGTH (HL) _____ HEAD I/DIA (HID) _____

THREAD SIZE (INC. PITCH) _____ THREAD LENGTH (TL) _____ THREAD I/D (TID) _____

BAYONET PIN QTY SINGLE | TWIN PIN DEPTH FROM TOP OF HEAD (PD) _____ PIN HEIGHT (PH) _____

PLEASE NOTE ANY OTHER DETAILS REQUIRED:

ADDITIONAL INFO: