

SOLOHEAT LTD - NOZZLE HEATER SPEC SHEET

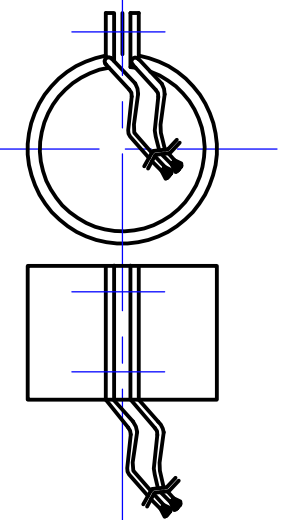
TEL: +44 (0) 1453 752459 | FAX: +44 (0) 1453 700120 | E: SALES@SOLOHEAT.CO.UK

CUSTOMER: _____

DRG #: _____

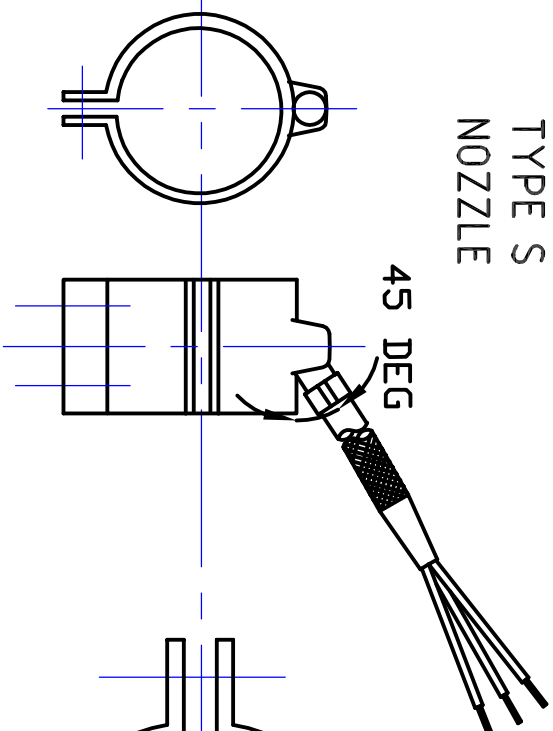
DIE REF #/NAME: _____

TYPE M
NOZZLE



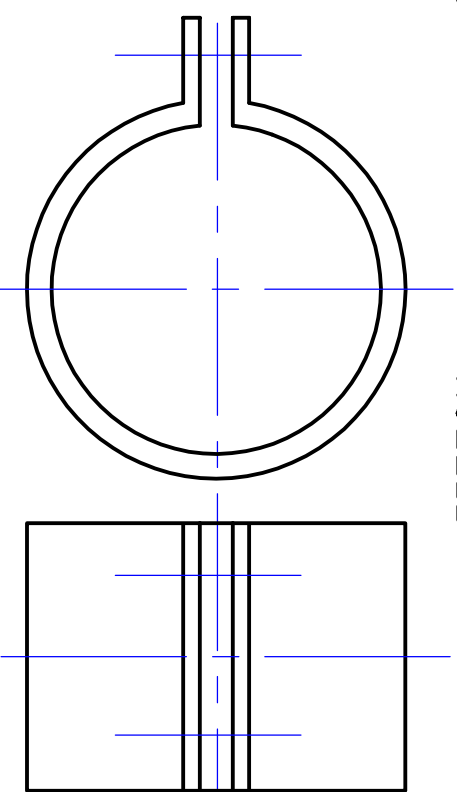
MICA NOZZLE - FIXED STYLE
1 METRE BRAIDED LEADS
EXIT EACH SIDE GAP
LOW PROFILE

TYPE S
NOZZLE



SEALED NOZZLE - FIXED STYLE
1 METRE STEEL BRAIDED LEADS
WITH EARTH EXIT OPPOSITE GAP
45 DEGREES

TYPE C
NOZZLE



COIL NOZZLE - VARIABLE STYLE
CUSTOMER TO SPECIFY LEAD EXIT
POSITION AND STYLE.

CIRCLE AS REQUIRED TYPE: - MICA | SEALED | COIL

ADDITIONAL INFO:

SIZE: INSIDE DIA _____ MAX OUTSIDE DIA (IF COIL) _____ X WIDTH _____

VOLTAGE _____ WATTAGE _____

COIL HEATER LEADS - LENGTH _____ PLAIN FIBRE GLASS | STEEL BRAIDED | STEEL CONDUIT

COIL HEATER OPTIONS: 3.3 MM SQ | 5 MM SQ | 7 MM SQ INTEGRATED THERMOCOUPLE REQ'D: NONE | TYPE J | TYPE K